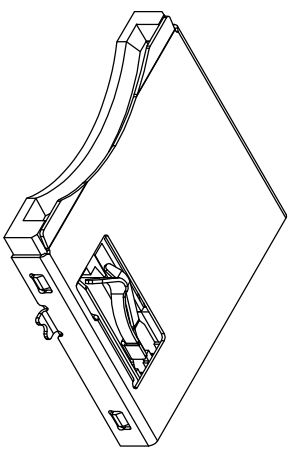
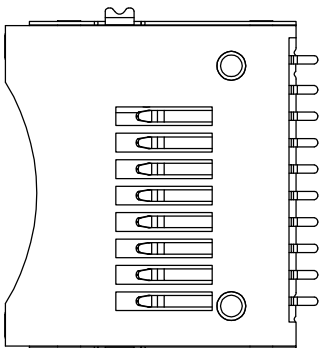
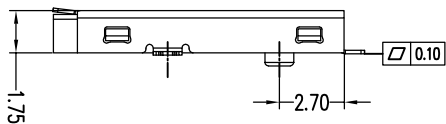
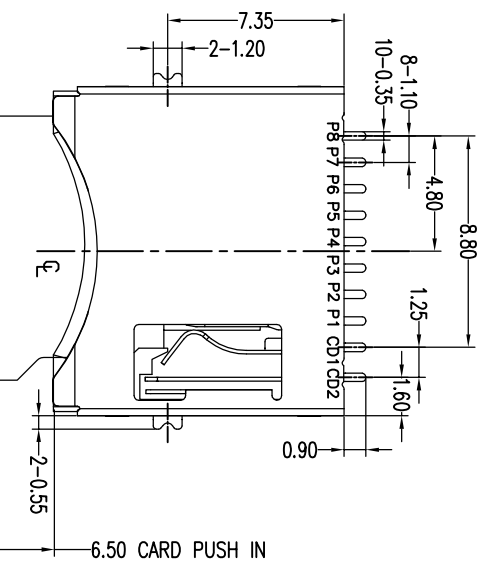
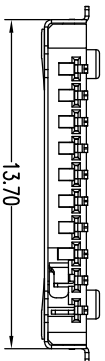


REV	ECN/NO	REVISION NOTE	DATE	SIGNATURE
REV	ECN/NO	REVISION/NOTE	DATE	SIGNATURE

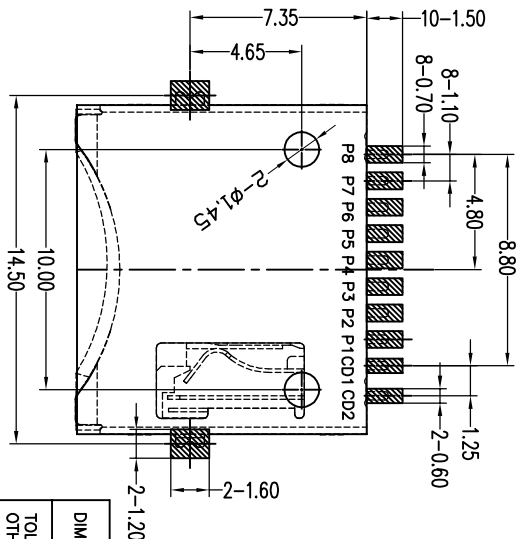
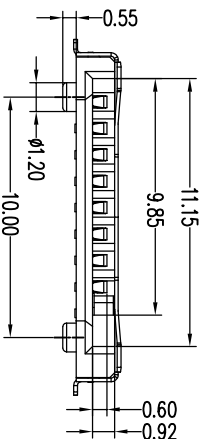


3D VIEW

SPECIFICATION

1. ELECTRICAL CHARACTERISTICS:
CURRENT RATING : 0.5A.
VOLTAGE RATING : 5V.
DIELECTRIC WITHSTANDING VOLTAGE:AC500V.R.M.S.
INSULATION RESISTANCE:1000MΩ MINIMUM.
CONTACT RESISTANCE:40MΩ MAXIMUM.
2. ENVIRONMENTAL:
OPERATING TEMPERATURE:-20℃~+85℃.
MATING CYCLE:5,000 INSERTIONS.
3. MATERIAL:
HOUSING:H1-TEMP PLASTIC LCP UL 94V-0 RATED
CONTACT: COPPER ALLOY(T=0.15MM).
SHELL: COPPER ALLOY(T=0.15MM).
4. PART NO:

卡座引脚共面度管控≤0.10MM;
插卡状态卡外露出卡座6.50MM;
退卡状态卡外露出卡座9.15MM或
直至完全拔出即可。



- TERMINAL PLATING:
A :1U G/F MATTE SN
B :3U G/F MATTE SN
C :5U G/F MATTE SN
D :15U G/F MATTE SN
E :30U G/F MATTE SN
1 :1U G/F OVER ALL
2 :3U G/F OVER ALL
3 :5U G/F OVER ALL
4 :15U G/F OVER ALL
5 :30U G/F OVER ALL
- SHELL PLATING:
A :1U G/F ON THE SOLDE.
50U NI PLATING OVER ALL
N :50U NI PLATING OVER ALL
- HOUSING COLOUR:
O:BLACK
1:WHITE
- PACKING OPTION
R:REEL
T:TRAY
- PIN NUMBER: FTFO3-10 1 X X X X X-006
10:1:OPIN

CARD DETECTION SWITCH	
WHEN CARD IS EJECTED	WHEN CARD IS INSERTED
OPEN	CLOSE
Cd G	Cd G

Pin NO.	Pin assignment	Pin NO.	Pin assignment
1	DAT2	6	VSS
2	CD/DAT3	7	DAT0
3	CMD	8	DAT1
4	VDD	9	CD1
5	CLK	10	CD2 (GND)

PCB LAYOUT TOP VIEW
(TOLERANCE:±0.05)

DIMENSION UNIT MM	
TOLERANCE UNLESS OTHERWISE SPECIFIED	
X	X
.XX	.XX
.XXX	.XXX

APR	TITLE:	TITLE
CHK: A-Zong	PROJ: 	PART_NUMBER: PART_NUMBER:
DRA: A-Zong_chen	FILE NO.	SHEET: SHEET SCALE: SHEET REV: SHEET

E		D		C		B		A	
1	2	3	4	5	6	7	8	9	10